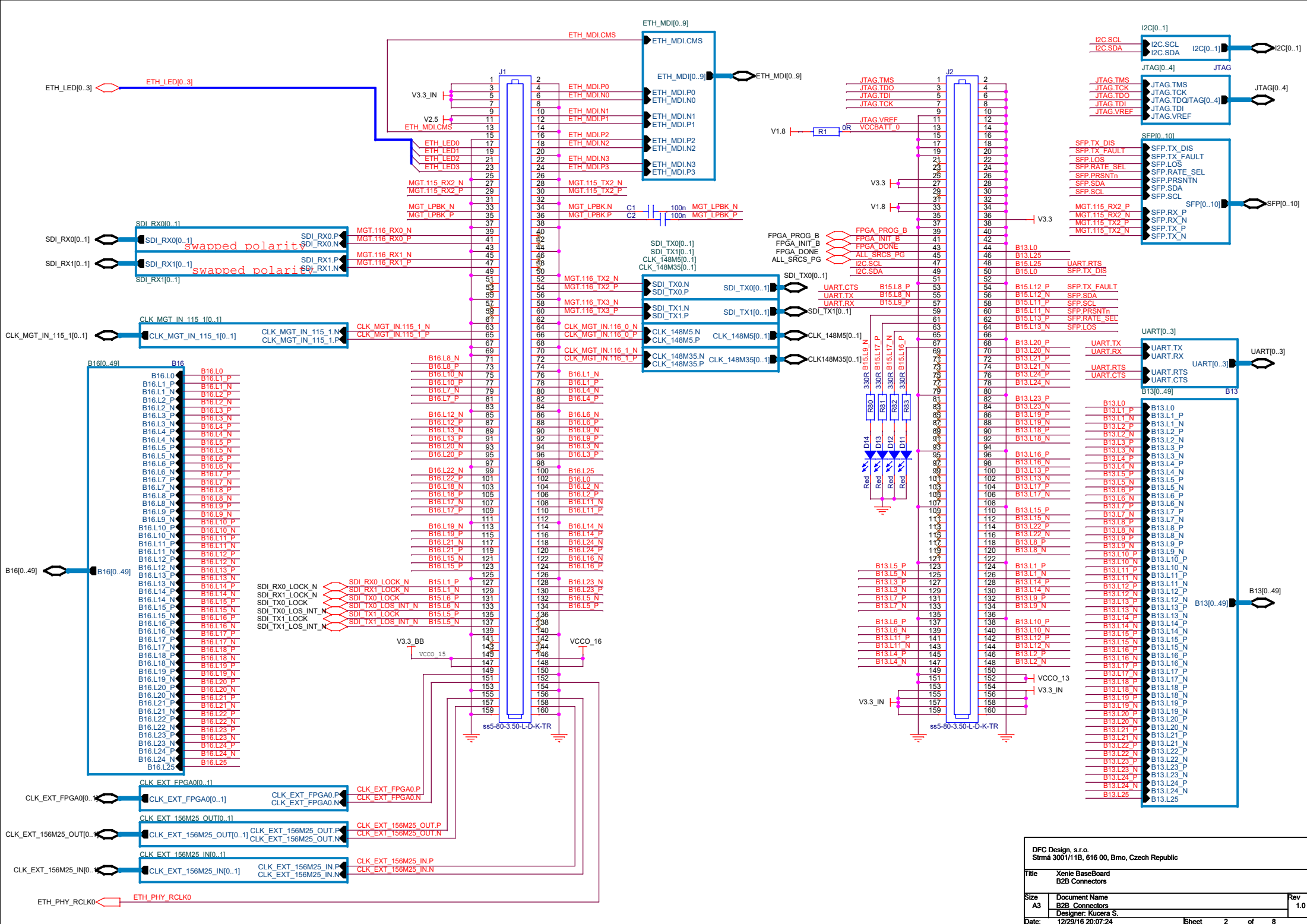
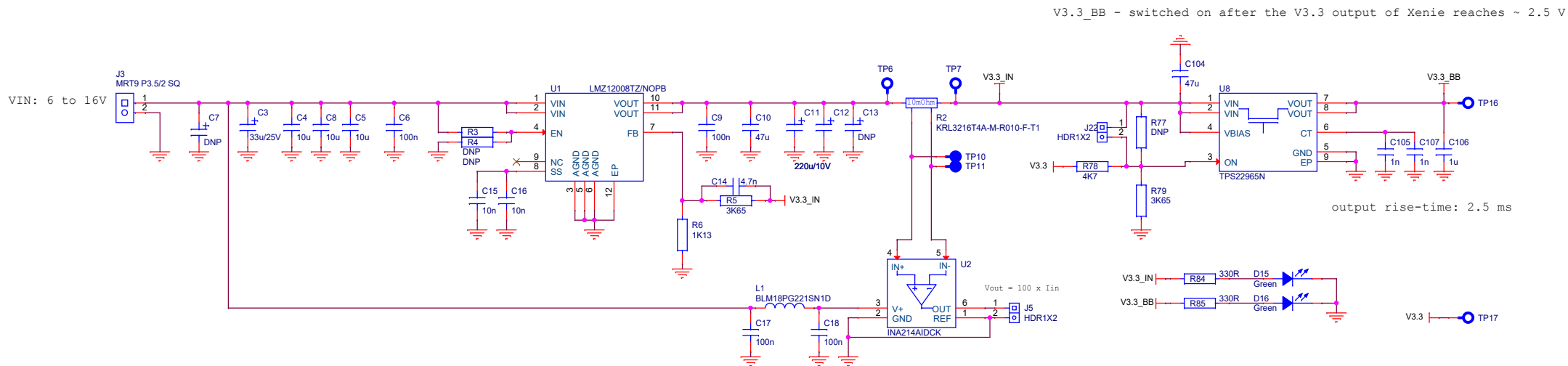
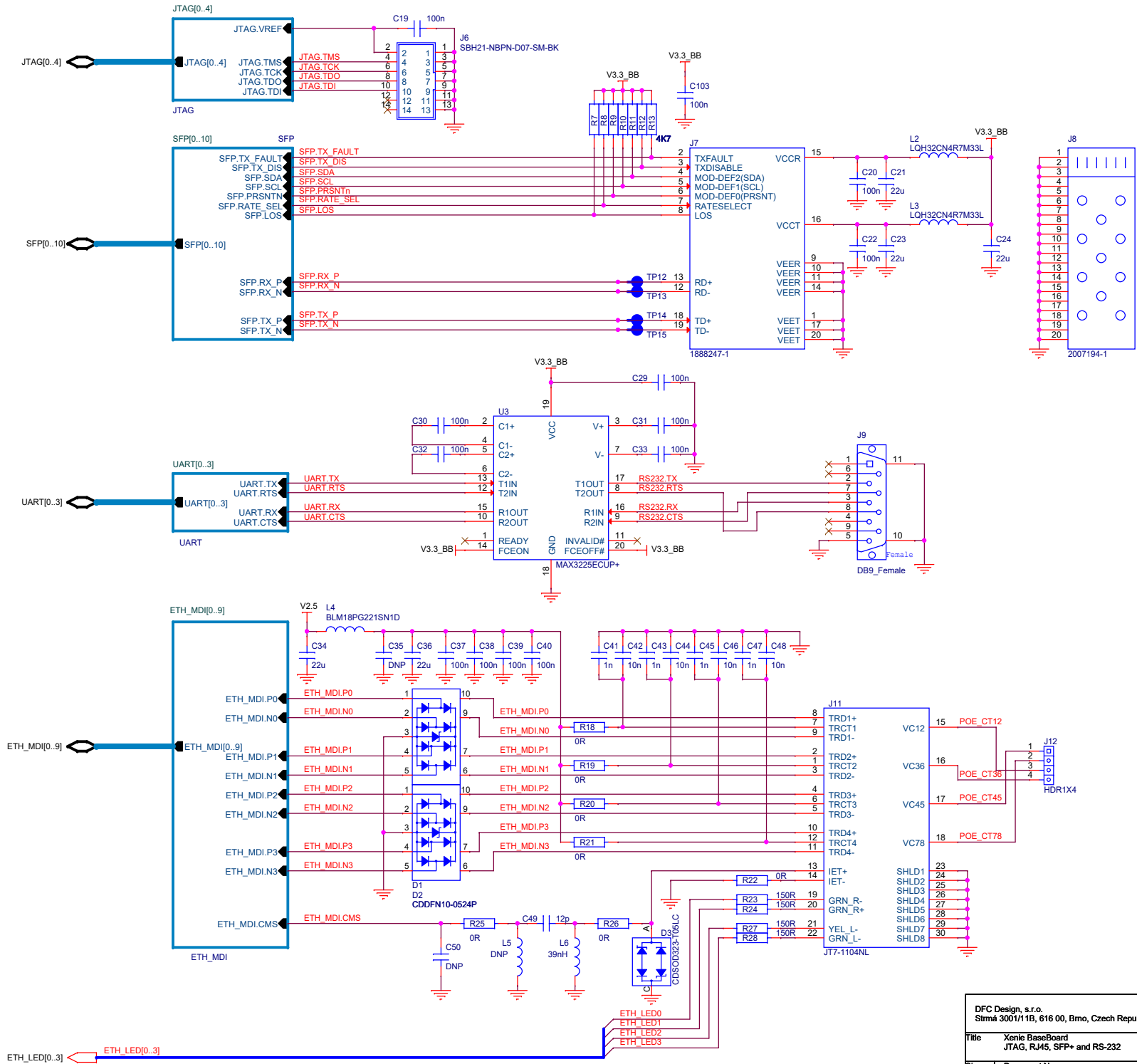


DFC Design, s.r.o. Štřmá 3001/11B, 616 00, Brno, Czech Republic		
Title	Xenie BaseBoard Xenie BaseBoard TOP	
Size	Document Name	Rev
A3	Xenie_BB_TOP	1.0
Date:	Designer: Kucera S.	
	01/02/17 14:12:23	Sheet 1 of 8

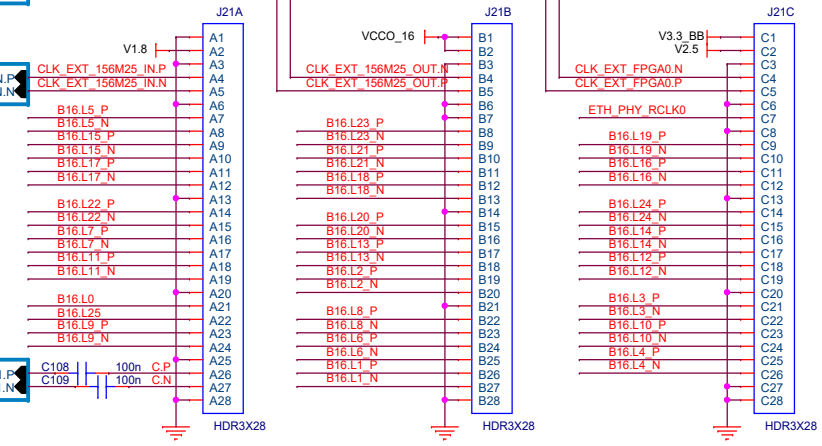
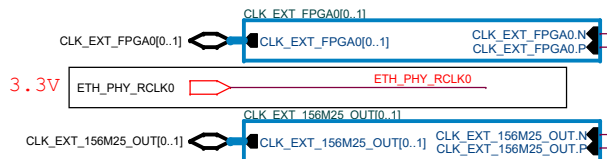
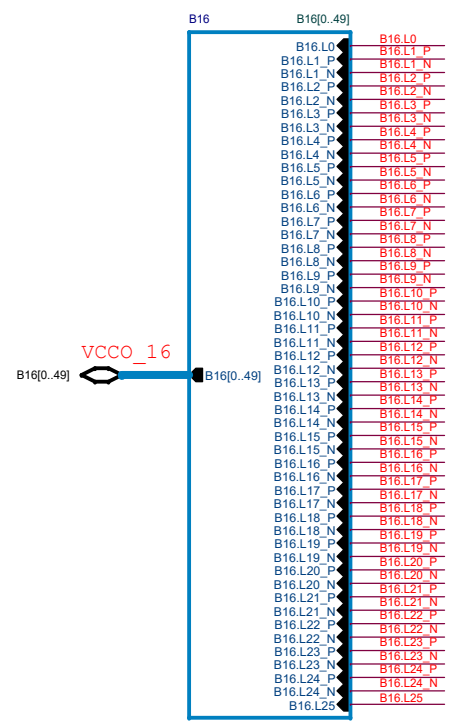
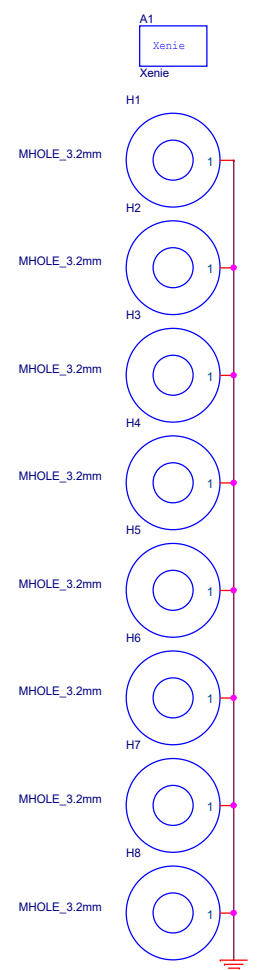
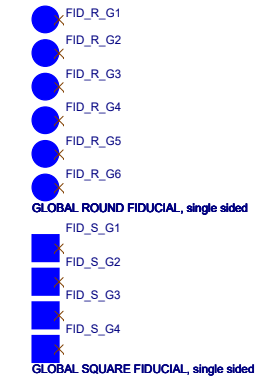
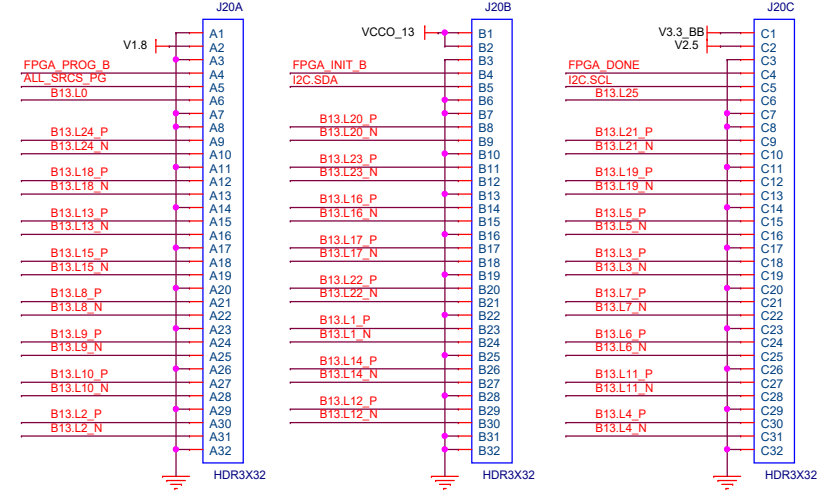
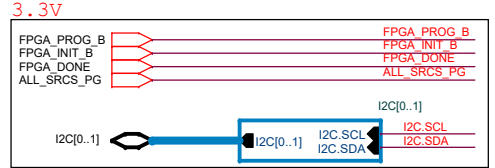
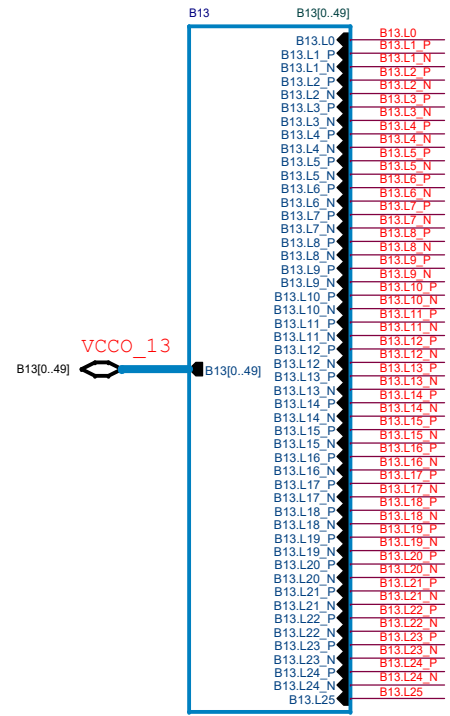




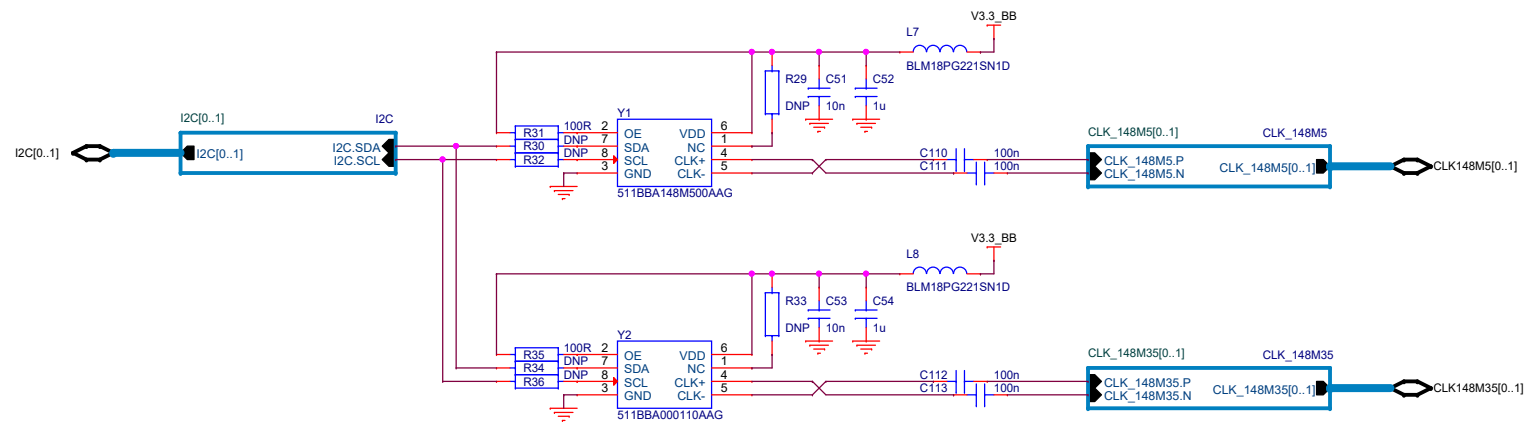
DFC Design, s.r.o. Štmá 3001/11B, 616 00, Brno, Czech Republic		
Title Xenie BaseBoard 3.3 V, 8 A DC/DC converter + current measurement		
Size A3	Document Name Board_PWR	Rev 1.0
Date: 01/02/17 14:34:00	Designer: Kucera S.	Sheet 3 of 8



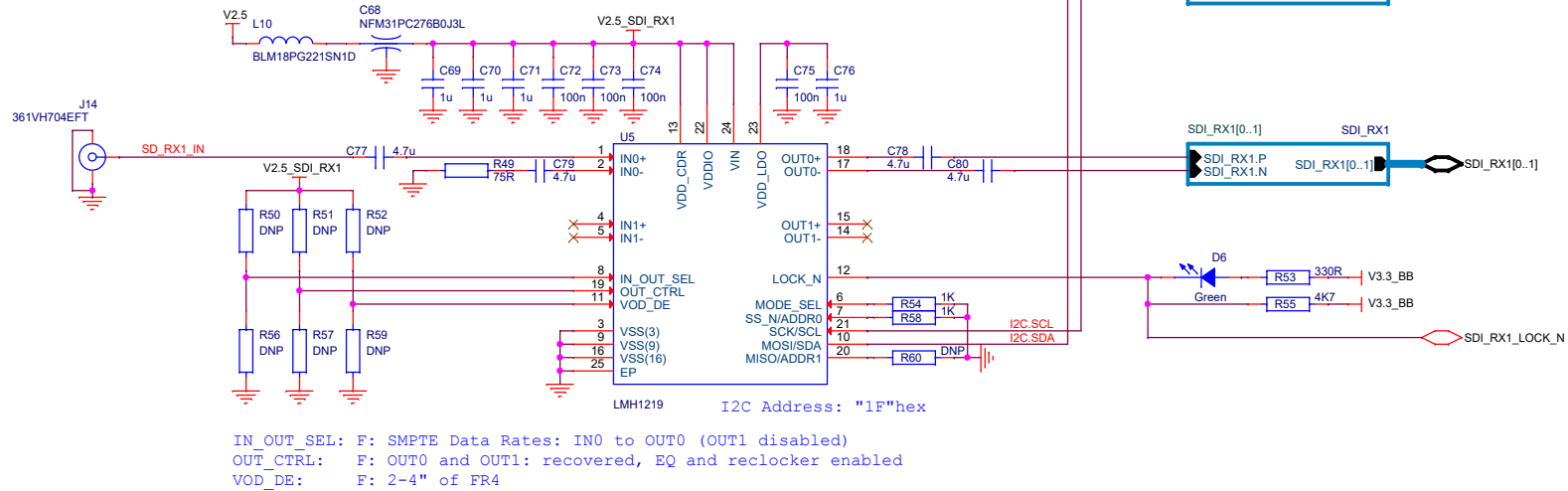
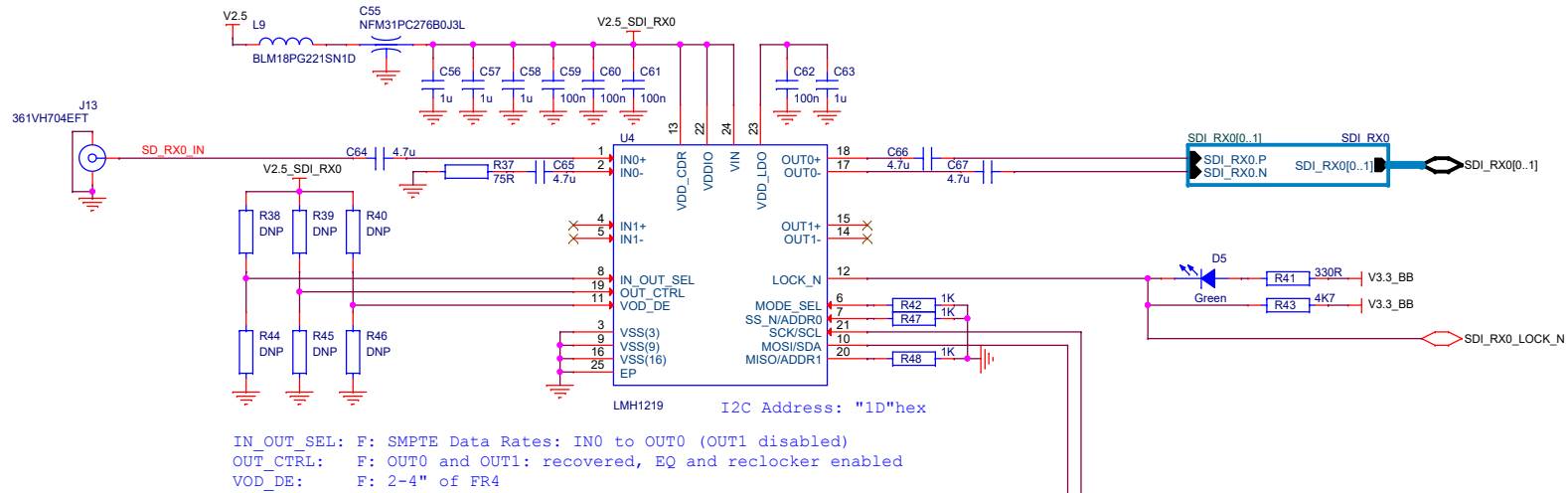
DFC Design, s.r.o. Stm4 3001/11B, 616 00, Brno, Czech Republic		
Title	Xenie BaseBoard JTAG, RJ45, SFP+ and RS-232	
Size	Document Name	Rev
A3	Connectors	1.0
Date:	Designer: Kucera S.	
12/29/16 20:07:26	Sheet	4 of 8



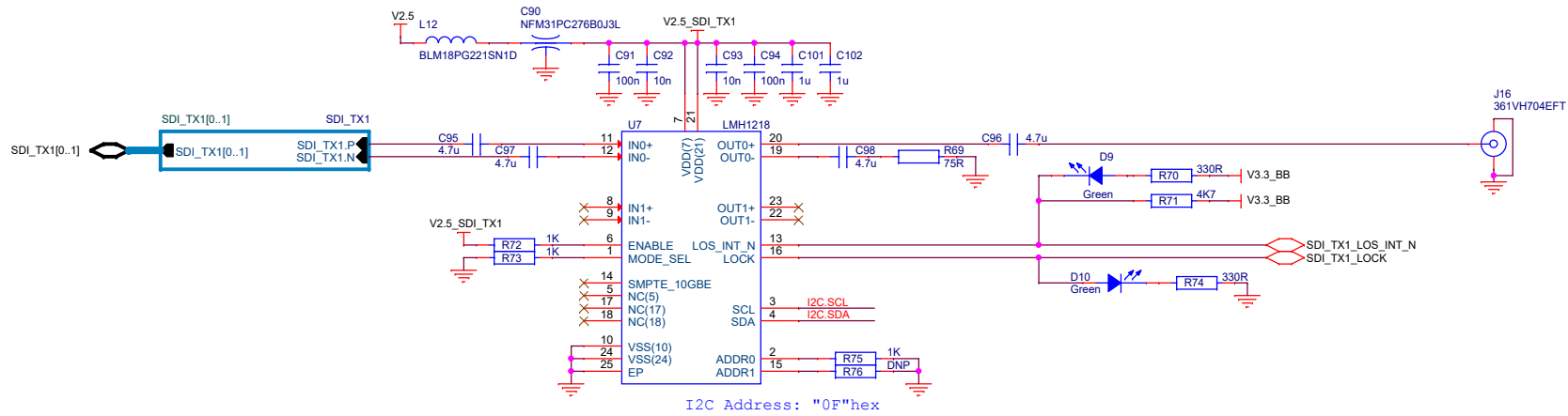
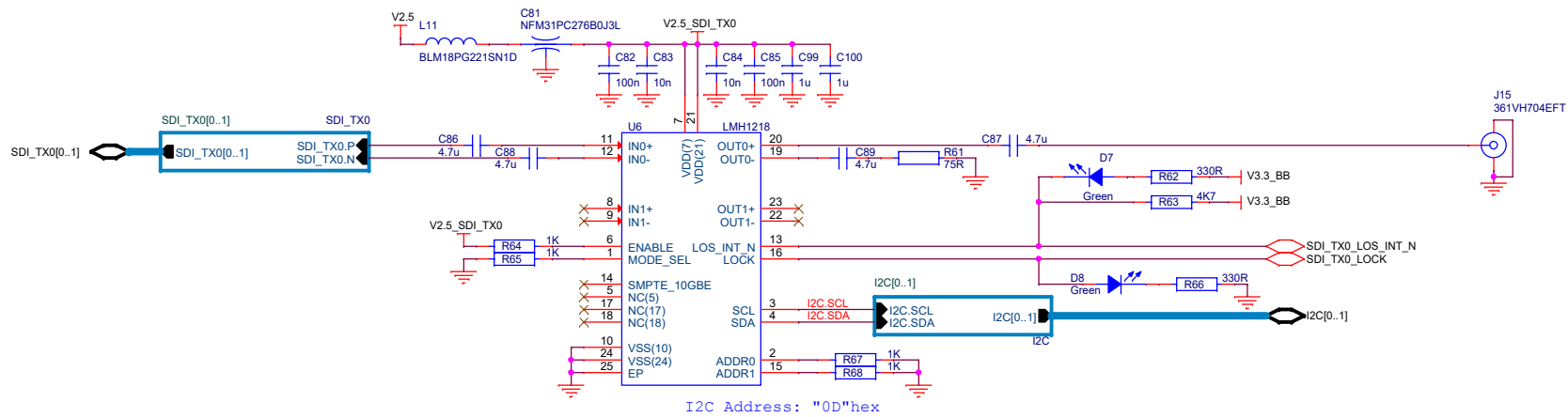
DFC Design, s.r.o. Střimá 3001/118, 616 00, Brno, Czech Republic			
Title	Xenie BaseBoard GPIO connectors		
Size	Document Name	Rev	1.0
A3	GPIO Connectors		
Date:	Designer: Kratochvíl S.	Sheet	5 of 8
01/02/17 14:33:59			



DFC Design, s.r.o. Štřmá 3001/11B, 616 00, Brno, Czech Republic		
Title Xenie BaseBoard Oscillators 148.5 and 148.35 MHz		
Size A3	Document Name SD1_CLK Designer: Kucera S.	Rev 1.0
Date: 01/02/17 14:13:07	Sheet 6	of 8



DFC Design, s.r.o. Štřmá 3001/11B, 616 00, Brno, Czech Republic		
Title	Xenie BaseBoard SDI Inputs - equalizer (retimer)	
Size	Document Name	Rev
A3	SDI_RX Designer: Kucera S.	1.0
Date:	12/22/16 15:15:03	Sheet 7 of 8



DFC Design, s.r.o. Stm4 3001/11B, 616 00, Brno, Czech Republic		
Title	Xenie BaseBoard SDI outputs - cable driver (retimer)	
Size	Document Name	Rev
A3	SDI_TX	1.0
Date:	Designer: Kucera S.	Sheet 8 of 8
	Date: 12/22/16 15:15:03	